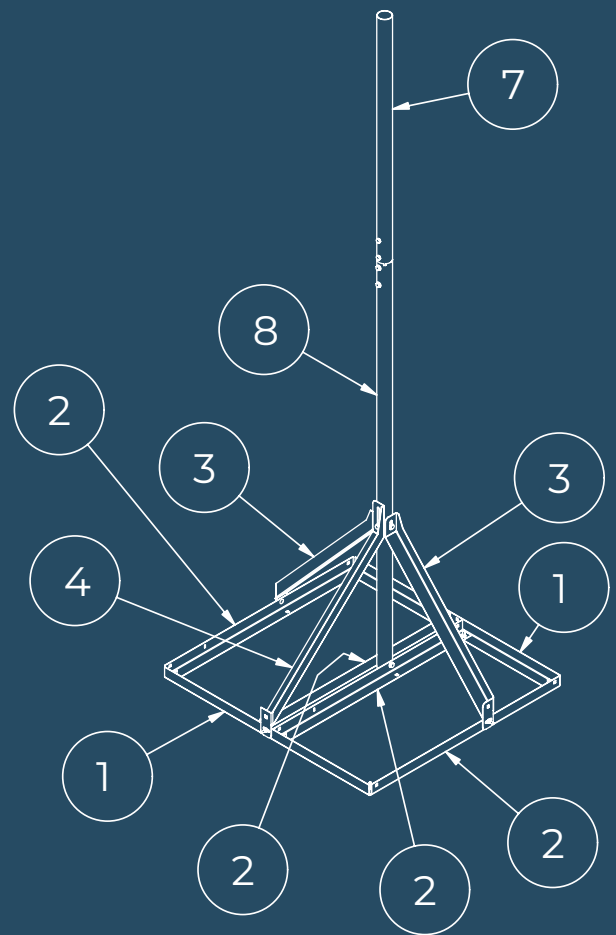


# Non Penetrating Roof Antenna Mount

## Assembly Guide



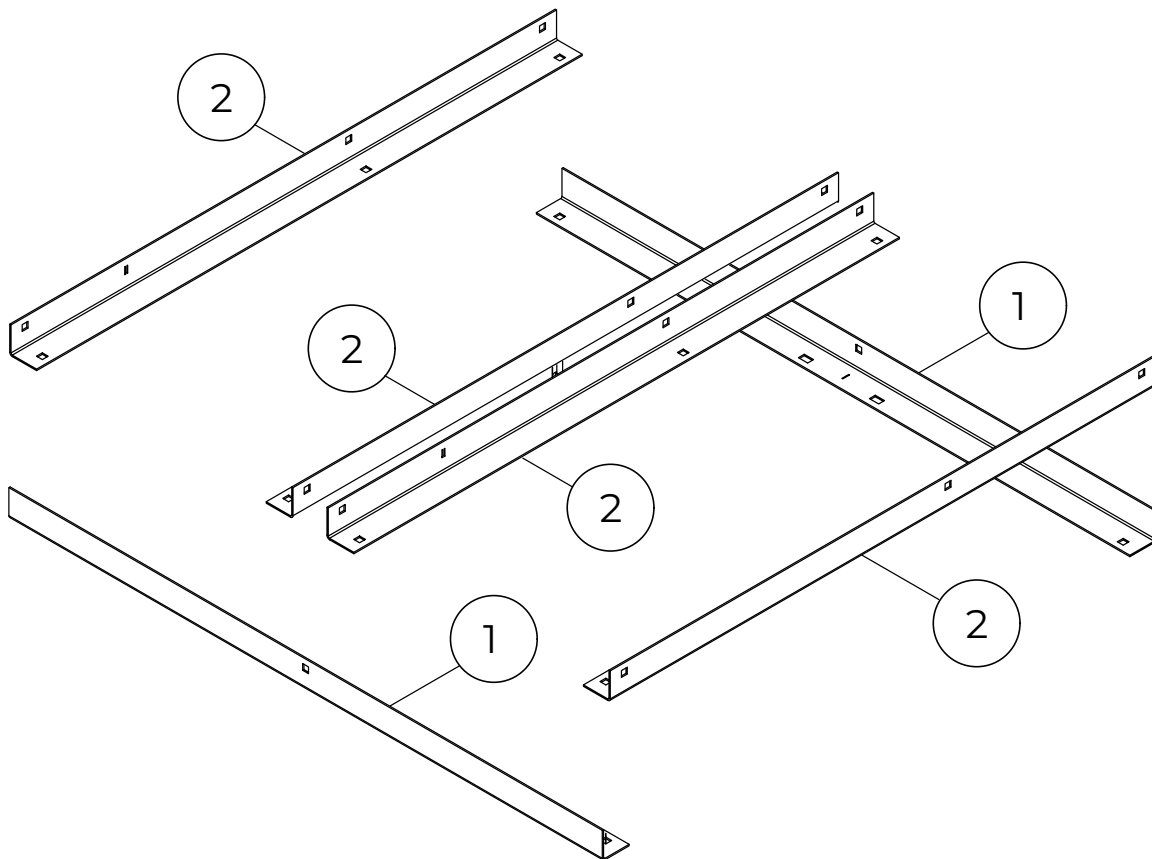
# Assembly Instructions

**Note:** A ½ inch socket wrench is required for setup

## STEP 1: ARRANGE L-CHANNEL PIECES

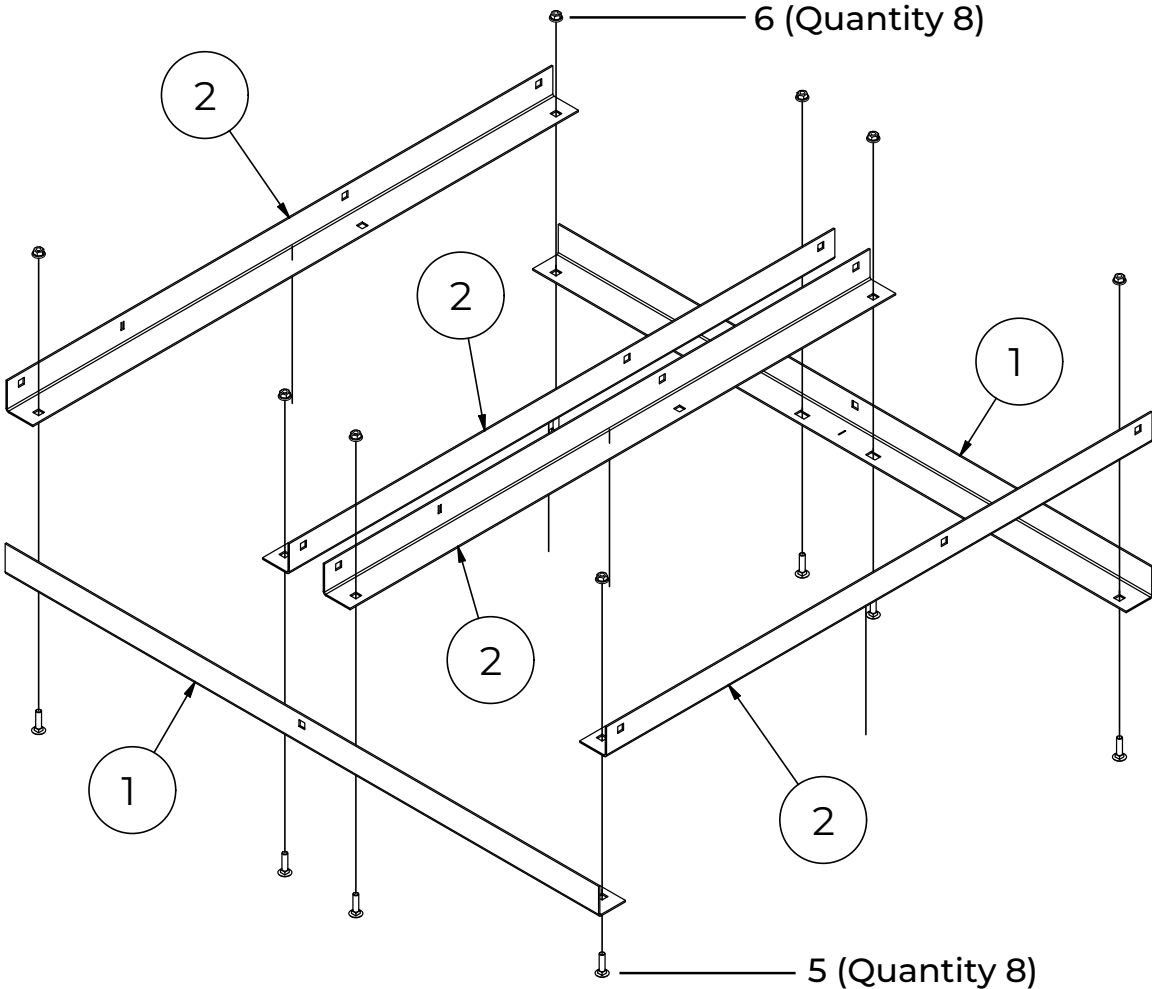
There are six L-Channel bars in the case, labeled #1 and #2. Arrange the two #1 pieces and two of the #2 pieces in a square, then add the remaining #2 pieces in the center.

**NOTE:** Make sure the central #2 pieces face away from one another with the central squares.



**STEP 2: SECURE WITH CARRIAGE BOLTS AND FLANGE NUTS.**

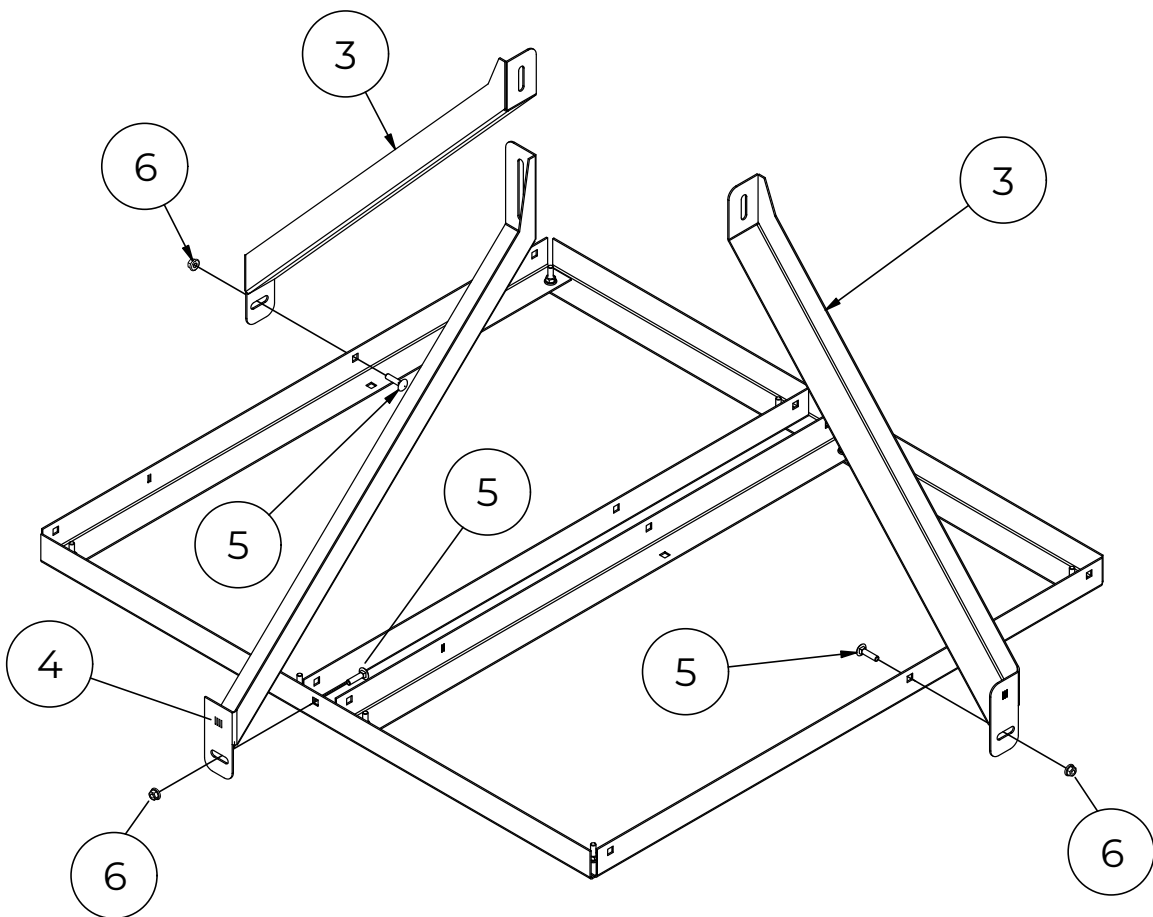
Attach the L-Channel bars to one another using included carriage bolts and flange nuts.



  
**CAUTION**  
SHARP EDGES

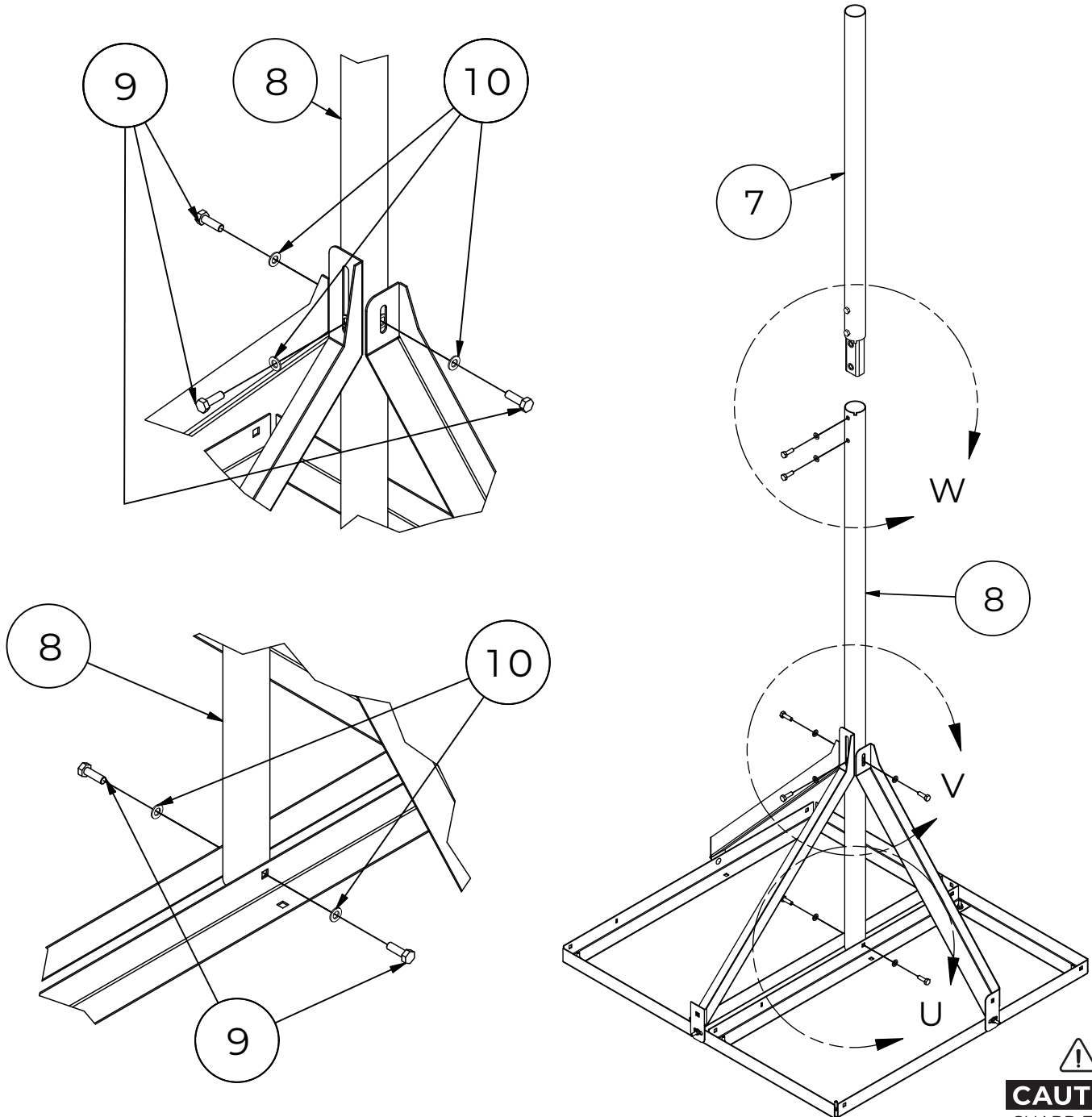
### STEP 3: FASTEN BRACE TO BASE

Attach three brace pieces to the square base using carriage bolts and flange nuts.



## STEP 4: INSERT AND FASTEN POLE

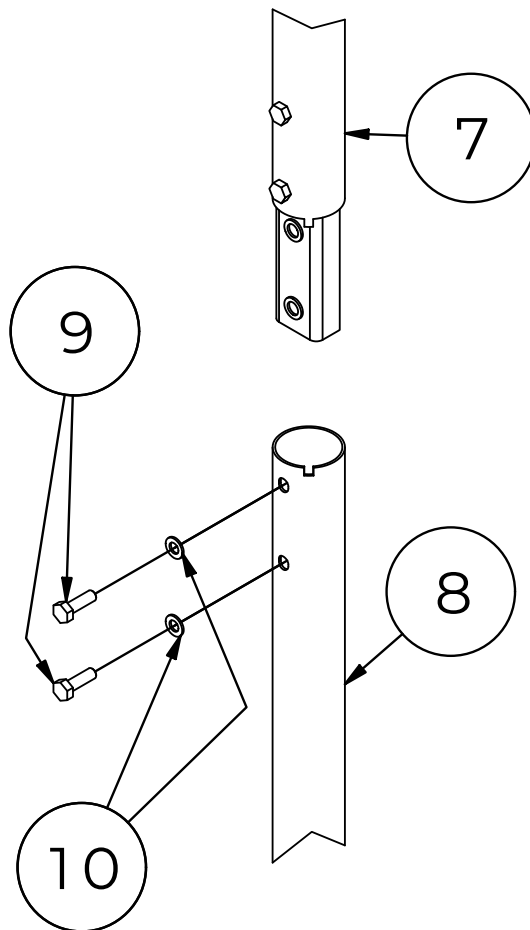
Insert pole between three brace pieces and two central L-Channel bars on base. Rotate as needed to attach pole to all brace pieces and central L-Channel bars using hexbolts and washers.



  
**CAUTION**  
SHARP EDGES

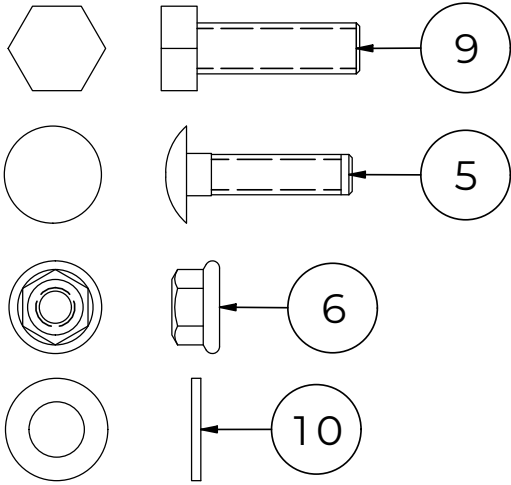
## STEP 5: ATTACH EXTENSION POLE, PLACE CINDER BLOCKS, AND ADJUST AS NECESSARY

The 3-foot extension pole can be easily attached at this point. Cinder blocks should be used to secure the sled mount to a roof, and the angle of the pole can be adjusted as necessary.

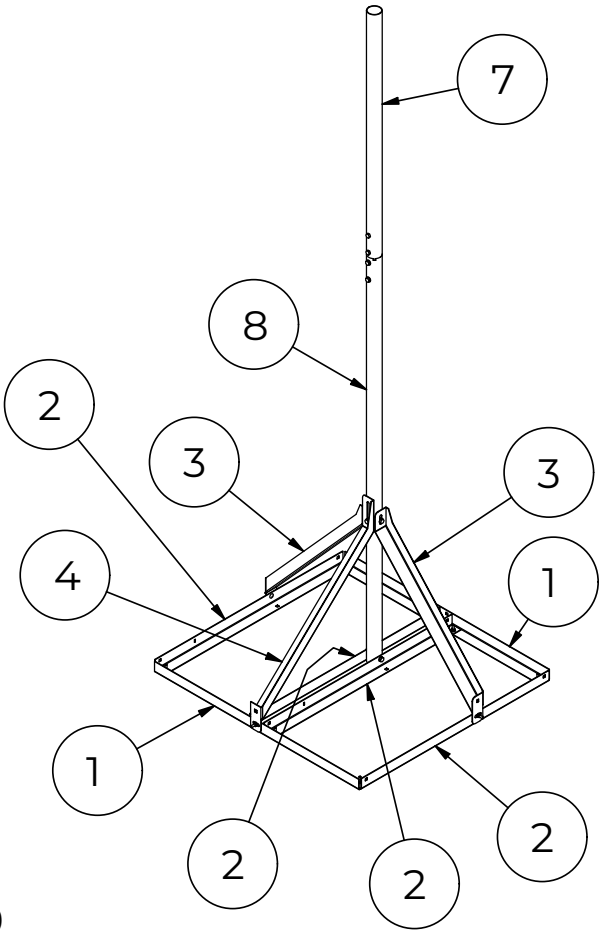
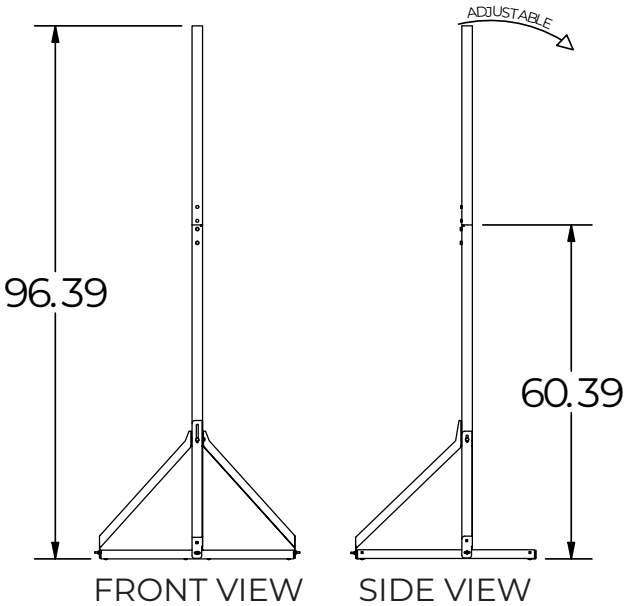
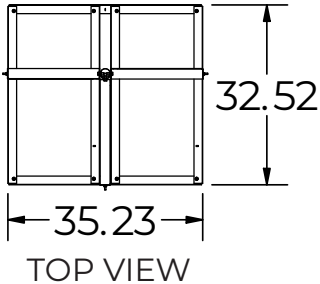


**PARTS LIST**

ITEM	QTY	PART NUMBER
1	2	L-Channel #1
2	4	L-Channel #2
3	2	Brace #3
4	1	Brace #4
5	11	Carriage-Bolt
6	11	Flange Nut
7	1	3-Foot Pole Extension
8	1	5-Foot Pole
9	7	Hexbolt M8 x 25
10	7	Washer-M8



Assembly Requires 1/2" Socket



  
**CAUTION**  
SHARP EDGES

## Need more info?

If you have a question about our stuff, need help with equipment, or just want to talk to a pro, contact us!

---

### Toll-free:

1-888-987-2658

### International:

1-281-310-5929

### Email:

[support@boltontechnical.com](mailto:support@boltontechnical.com)

### Operating Hours:

Monday to Friday  
8am - 6pm CST

### Bolton Technical

5010 Wright Road

Suite 115

Stafford, TX 77477

